

VRLA Rechargeable Battery

BP3-6 (BP3-6FR)



FEATURES

- Maintenance free(no water topping-up required).
- No free acid(Non-spillable battery).
- Low self-discharge rate, lower than 3% capacity loss per month.
- Can be used in any orientation(excluding used inverted).

APPLICATION

- UPS
- Security



SPECIFICATIONS

Nominal Voltage	6 V
Nominal Capacity	3.0Ah @ 20 hour rate F.V.(1.75V/cell)
Approx. Weight	650g(1.43lbs.)
Terminals	T1 (Faston Tab 187)
Internal Resistance	≤25m Ω (Fully Charged)
Max. Discharge Current	45 A (5 sec.)
Max. Charge Current	0.9 A
Operating Temperature Range	Charge : 0°C~40°C(32°F~104°F) Discharge : -20°C~50°C(-4°F~122°F) Storage. : -20°C~40°C(-4°F~104°F)
Container Material	ABS(UL94-HB, UL94-V0 is optional)

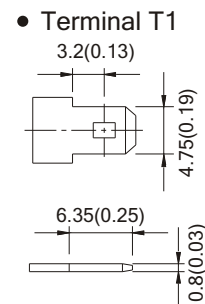
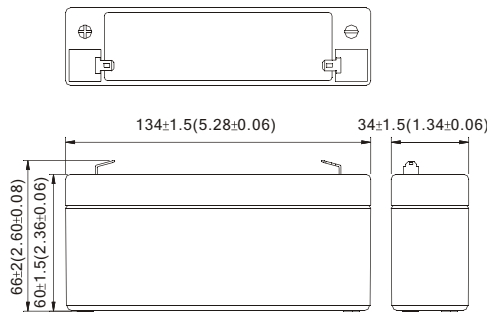
ISO 9001	
ISO14001	
UL	
CE	
<ul style="list-style-type: none"> ● IEC61056 ● JIS C 8702 ● GB/T 19639 	

DIMENSION(mm/inch)

OUTER DIMENSIONS

TERMINAL TYPE

- **Length**
134±1.5 (5.28±0.06)
- **Width**
34±1.5 (1.34±0.06)
- **Container Height**
60±1.5 (2.36±0.06)
- **Total Height**
66±2.0 (2.60±0.08)



Constant power discharge characteristics at 25 °C/77 °F Unit: W

Discharge Time F.V. (V/cell)	5 Min	10 Min	15 Min	30 Min	1 Hr	3 Hr	5 Hr	10 Hr	20 Hr
1.80V	54.23	39.92	31.99	19.04	10.917	4.372	3.015	1.685	0.887
1.75V	62.77	43.25	33.46	19.76	11.245	4.460	3.060	1.710	0.900
1.70V	66.69	44.81	34.50	20.21	11.447	4.500	3.077	1.719	0.906
1.65V	69.69	45.88	35.29	20.50	11.584	4.531	3.087	1.724	0.906
1.60V	72.00	46.80	36.00	20.70	11.700	4.559	3.097	1.724	0.906

Constant current discharge characteristics at 25 °C/77 °F Unit: A

Discharge Time F.V. (V/cell)	5 Min	10 Min	15 Min	30 Min	1 Hr	3 Hr	5 Hr	10 Hr	20 Hr
1.80V	9.77	7.03	5.56	3.23	1.835	0.729	0.502	0.281	0.148
1.75V	11.52	7.61	5.82	3.35	1.890	0.743	0.510	0.285	0.150
1.70V	12.24	7.89	6.00	3.43	1.924	0.750	0.513	0.286	0.151
1.65V	12.79	8.08	6.14	3.47	1.947	0.755	0.515	0.287	0.151
1.60V	13.21	8.24	6.26	3.51	1.966	0.760	0.516	0.287	0.151

All data shall be changed without prior notice, BB reserves the right to explain and update the information contained hereinto.